

KALIN



KALIN children's bed. Chene Lindberg boards.



Description

- Kalin is a bed specially designed and adapted to children aged 3 to 12.
- For children that weigh up to 70 kg. Maximum safe load up to 115 kg, i.e. 70 kg patient, 15 kg mattress + 30 kg. other accessories.



Producent: Winncare France (SA), 4, Le Pas du Château, 85 670 Saint-Paul-Mont-Penit
Tél : +33 (0)2 51 98 55 64 - Fax : +33 (0)2 51 98 59 07

www.winncare.com

WIN  CARE

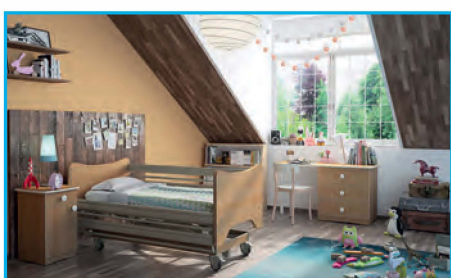




Wall bumper



Security of remote control



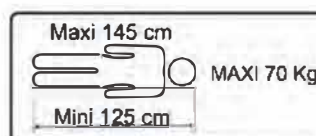
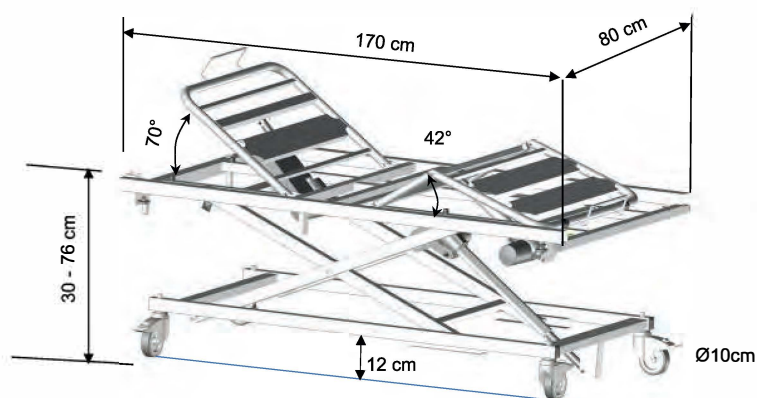
Child room with Kalin bed



Rose boards



Cadiz boards



- ### ADDITIONAL INFORMATION
- Indivisible base with the dimensions of 170 x 80 cm
 - Base with welded metal slats
 - Expansion slot
 - 3 electrical functions
 - Height adjustment from 300 to 760 mm
 - Electric back support
 - Electric leg rest with knee bending with help of ratches
 - Independent brakes mounted on 4 wheels (diameter Ø 100 mm)
 - Central brake as an option
 - The distance between the crossbars or two elements of the structure is equal to or less than 65 mm, and the distance between the base and the bottom of the rail is equal to or less than 65 mm
 - Recommended for children from 125 cm to 145 cm tall
 - Remote control with a lock as standard equipment
 - Optional CPR backrest
 - A standard polyurethane foam mattress with a height of 14 cm with a CIC cover (with silver ions)
 - Optional Alova Junior mattress made of viscoelastic foam with CIC cover (with silver ions)

DESCRIPTION	LPP	DIMENSIONS	BR	LEG REST	LIFTING CAPACITY	WHEELS	STANDARDS	MOTORIZATION
KALIN 3 ELECTRIC FUNCTIONS WITH FOLDING	YES	80 x 170 cm base indivisible	70°	42° bend knees	Nominal weight: 115 kg Mattress: 15 kg Patient: 70 kg Accessories: 30 kg	Ø 100 mm with brakes without cable cover	NF EN 50637 :2017	LINAK IP 54

