

NEW!

3-Point Powered Positioning Spreader Bar

The new one-of-a-kind, patented powered positioning spreader bar for Luna ceiling hoists

Primary application

Home care
Nursing homes
Hospital

The new 3-Point Powered Positioning Spreader Bar provides increased flexibility to optimally position and reposition the patient during transfer. Users can be moved from a semi-lying position and seamlessly repositioned to an upright position, or vice-versa.

An all-in-one flexible solution

The spreader bar can help to facilitate the correct positioning of the user in the chair, for transfers from bed to chair. You will not need to use the positioning and tilt functions of either the bed or the chair - the spreader bar does all the work!

Full focus on the user and the user's needs

The 3-Point Powered Positioning Spreader Bar provides the opportunity to ensure the correct position of the user throughout the transfer - for example, if the user needs a more open seat angle. It also provides the caregiver good opportunity to have eye contact with the client.

Patented solution

The 3-Point Powered Positioning Spreader Bar has a patented swivel and tilting mechanism which prevents tangling and twisting of the ceiling lift's strap.

The spreader bar must be used with the 2 channel Luna model and specially designed sling with clips.





3-Point Powered Positioning Spreader Bar mounted on a 2-channel Luna lift.



Patented swivel and tilting solution which prevents tangling and twisting of the ceiling lift's strap



The 3-Point Powered Positioning Spreader Bar is easily controlled with the Luna 4 function hand control (IPx4).

PRODUCT HIGHLIGHTS

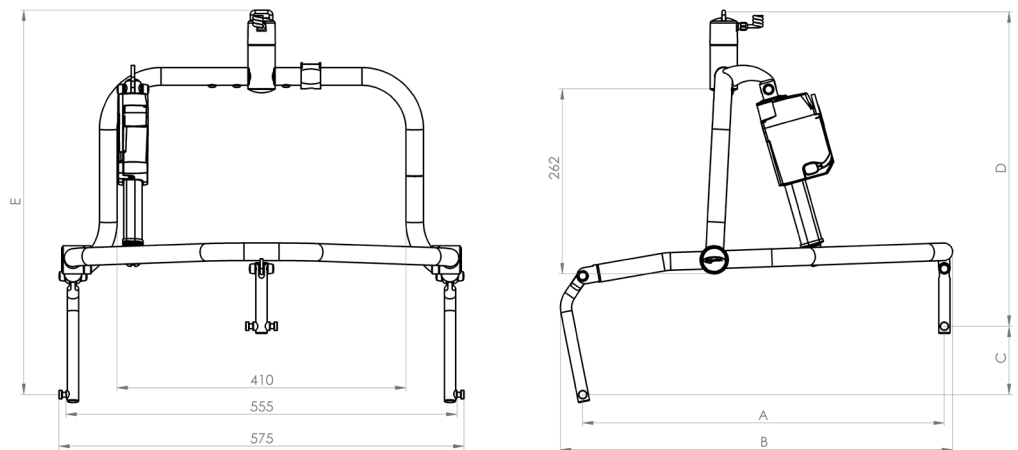
- Can accommodate standard and bariatric lifting situations (max. 275 kg)
- Can rotate 360 degrees
- Is easily mounted on the ceiling hoist's strap
- Patented swivel and tilting mechanism which prevents tangling and twisting of the strap
- Repositioning can be done within only 13 seconds
- Easily controlled with the Luna hand control

Version	Item-number
3-Point Powered Positioning Spreader Bar	015-02112

MEASUREMENTS

Width 574 mm

	Lying position	Sitting Position
A	513	238
B	557	304
C	97	368
D	445	728
E	541	363



Please consult the technical manual for further specifications.
 All figures and measurements are for guidance only and may differ in actual situations.
 WinnCare Nordic reserves the right to changes without notice.
 Product photos may include accessories. Please consult your dealer for further information.



WinnCare Nordic ApS
 Tårnborgevej 12C
 4220 Korsør, Denmark
 tlf. +45 70 27 37 20
 e-mail: info@winnCare.dk

